

BARG News



Official Newsletter of the Ballarat Amateur Radio Group Inc. # 6953T

ABN 44 247 200 143

VOLUME 35 ISSUE 2 February 2012



President: Craig Cook VK3CMC
Secretary: Doug Ellery VK3FDRE
Treasurer: Bill Wells VK3PAL

NEXT MEETING - FRIDAY February 24, 2012
At 7.30 pm

Contacting us

You can write to the club at the address below, or e-mail the secretary.

The Secretary : B.A.R.G. Inc.
 Box 1261
 Mail Centre
 Ballarat. Vic. 3354.



Or E-Mail: vk3bml@barg.org.au

BARG INC. LIFE MEMBERS

Gordon Cornell	VK3FGC
Norm D'Angri	VK3LBA
Harry Hekkema	VK3KGL
Kevin Hughes	VK3WN
Ian McDonald	VK3AXH
Phil Seddon	
Charlie Stewart	VK3DCS
Bob Terrill	VK3BNC

CLUB INFORMATION

REPEATERS and BEACON

VK3RWA*	(2 m Voice Repeater) (Uses CTCSS of 91.5 Hz to access)	147.100 MHz	Mt Ben Nevis
VK3RPC	(2 m Packet Repeater)	144.750 MHz	Mt Warrenheip
VK3RBU	(70 cm Voice Repeater)	438.475 MHz	Mt Hollowback
VK3RMB	(70 cm Beacon)	432.535 MHz	Mt Buninyong
VK3RBU-1	(2 m APRS Repeater)	145.175 MHz	Mt Hollowback
VK3RBT	(2 m Voice Repeater) (Uses CTCSS of 91.5Hz to access)	146.650 MHz	Green Hill

* **IRLP** Node 6310 using VK3RWA

CLUB e-mail vk3bml@barg.org.au.

CLUB NET VK3BML 3.608+/- QRM Thursday Nights at 8 pm E.S.T (Summer & Winter)
VK3BML VK3RBT 146.650 Mhz Tuesday nights 8 pm.

WIA Broadcast Sunday 11.00 am via VK3RWA (IRLP Node 6310)

NEWS ITEMS Send to Harry VK3KGL

Or mail to Box 1261 Mail Centre BALLARAT 3354 or e-mail membermember member.vk3kgl@barg.org.au

Broadcast Times and Dates on VK3RWA Repeater

Every Sunday at 11.00 am, WIA National News.
Every Monday night at 9.30 pm, ARRL News
Every Tuesday night at 9.30 pm, WIA National News Repeat

BA'S AUDIO WORKSHOP PTY. LTD. ABN 59 007 427 778
trading as

BALLARAT
UTO SOUND SPECIALIST
and
Radio Communications Systems Specialists
Supply and Service

8 EASTWOOD ST., BALLARAT 3350
Tel. 5333 4465 Fax. 5331 5851

HEWITT & WHITTY Pty. Ltd. Outdoor Power Equipment		SupaSwift
Cnr Carrngham Road & Wiltshire Lane Ballarat VIC 3350		Ariens TIGA
Damien Hennessy Sales / Spares		ECHO
Phone: (03) 5336 1344 Fax: (03) 5336 1027		CHIPPER CHOPPER FROM POWERMASTER MACHINERY
Mobile: 0417 313 811 Email: damo_611@hotmail.com		ep Engineered Products Group
		KOHLERengines

BARG Equipment Loan Book.

Please fill out book as you borrow items.

Maximum duration for loan is four weeks (meeting to meeting) and must be signed in and out again if you wish to re-borrow item for a further period.

Please report any malfunction or damage to the Secretary, preferably in writing or e-mail thank you.

This book is not for recording Library borrowings!

B.A.R.G Items for Loan.

Antenna Analyser HF/VHF MFJ.
Antenna Analyser VHF. Autek.
Receiver Drake SSR-1.
Receiver FRG-7.
Transceiver TS-530.
Oscilloscope BWD 509.
Grid Dip Oscillator.
Safety Belt.
Antenna Gin Pole.



QST Report with Craig, VK3CMC

Content review of current QST in library



QST Review January 2012

What to find this month.

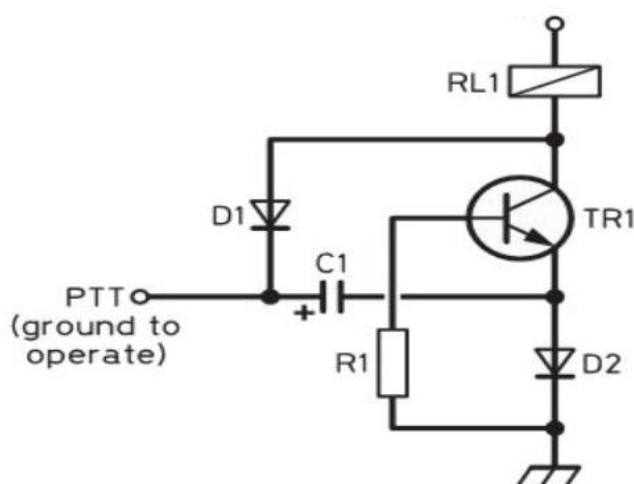
- P4/5 Index this month.
- P24 Correspondence
- P30 A Transistor Tester in a Tin. Is it good or is it Bad.?
- P32 Revisiting the Four stage 75 [or 80M] SSB Superhet.
Read also May 1989 article by Doug DeMaw W1FB.
- P37 Use a Tape measure to make a 2M and 70CM portable beam.
- P40 Use a 40M loop antenna down on 160M.
- P43 Providing Power for your Pet project.
- P45 Low impact Mobile Installation. Chain saw not required.
- P48 Review: WINRADIO WR-G31DDC Excalibur SDR.
- P51 Review: AVMAP G6 APRS Navigation System.
- P54 TE Systems 1410G 2 Metre Linear Amp.
- P56 Technical Correspondence: Looks at "Care & feeding 3-500ZG Amplifier" but lesson applies to ALL High Voltage amps.
- P58 The Doctor is In: Looks at ENZEC patterns of ant, stacking up AC invertors, soil conductivity. And Meteor scatter.
- P60 Hands on Radio Exp 108 PCB Layout – Part 2.
- P62 Short Takes. Looks at the Andy Crimp Pro crimping tool.
- P63 Hints & Kinks. Soldering, Dental floss for cable strain relief, Make Your own custom Panels.
- P65 Dxing tips for the Little Pistol.
- P67 Build a simple low power valve transmitter for HF. See the kit at www.glowbugkits.com
- P70 Low tide on Tarawa. South Pacific Expedition.
- P72 Your not in the Log. Why to use standard Phonetics
- P73 Building a Dream Novice Station.
- P75 The DIY Magic of Amateur Radio.
- P76 Happenings. Reports that BPL Interference rules have been tightened BUT not enough. Could it still happen here in Australia.
- P87 Hows DX? Using Log Book of the World. [LoTW]
- P89 World above 50 Mhz. Look at Transequatorial VHF Propagation.
- P94 Vintage Radio. Antique Wireless Association now 60yrs. Looks back at Some of thye Founding members and their gear.
- P97 Microwavelengths. Rain – Friend or Foe.?
- P102 75, 50 and 25 years ago. Index
- P156 QST Index of Advertisers.

73 Craig
VK3CMC

How to operate a 24 volt relay from a 12 Volt DC supply

The circuit shown below allows a 24 volt relay to be operated from a 12 volt supply. We may find a situation where we have in our junk box a 24 volt relay but want to use it where only 12 volts is available. You could make or purchase a 12 – 24 VDC converter however this circuit is simple and very effective for relays needing up to 28 volts and has been used by many amateurs particularly for antenna coaxial change over relays used in the VHF UHF bands.

A 24 volt relay will usually operate at a voltage lower than 24 volts however once operated it will remain operated at a much lower voltage.



Parts List

V+ = as little as 12V for 28V relay R1 = 1K. D1, D2 = 1N4004
TR1 = BD142 / 681 - really, any medium power NPN, C1 = 1000uF

As the PTT line carries the relay current most modern rigs don't have the current capacity so an extra transistor maybe required. Note that the relay should not have a spike-suppression reverse diode across the coil. This will slow the circuit "recharging" down. Thanks to David VK3HZ for the circuit info.

73's Ian – VK3AXH



Craig - VK3CMC

Presidents Report

I wish to start this month in wishing Clem VK3BVI all the best for a speedy recovery after some major surgery recently. He is currently recovering in Daylesford hospital, and then back home to where I hope we can hear his voice on the VK3BML weekly net as well as catching up to his other friends on the “Garum Masala” net.

Best wishes from the club Clem.

The club has now taken steps to move our two beacons on 70cm and 23 cm to a more convenient site and this will happen shortly. The ACMA are now dealing with the application to move. The beacons are used for people wanting to spot a frequencies but more so to ascertain how a band is performing from their location to the beacon. On 2M there are two over the border in VK5, one in VK7 and at least two readable from the Ballarat district. Over the recent Christmas break there have been reports that some of the VK6 beacons have been actively heard during openings. If you haven't explored the frequencies between 144.00 and 145Mhz why not have a look around and see. The standard protocol for antennas in this part of the band is for horizontal dipoles or beams. Another type of antenna that was popular a few years back is the Cubical Quad.

Although designed for the commercial broadcasting band [HF] it has been taken and scaled for VHF and UHF purposes. I demonstrated a two element 2M quad in the club rooms a couple of years back and suggested it may be of interest as a club project. Depending on the construction a Quad could be built that allowed the elements to be folded down flat along the boom length and would be much easier to transport for field days. Multiple elements can be included and a high gain obtained like the beam antenna. Another advantage with the quad is it may be easily rotated by 90 degrees to obtain a vertically polarised antenna. Maybe we can revisit the idea of a simple club project activity,

We hope to have a speaker at the March meeting who will give us all the answers in respect to the Smart Meters that are being installed in our meter boxes. There has been a lot of comments about these and just how well they are going to serve the community user.

Or is it the electricity supplier? Mark your diary for the 23 March.

73 Craig
VK3CMC

Attorney:	How was your first marriage terminated?
Witness:	By death.
Attorney:	And by whose death was it terminated?
Witness:	Take a guess.

Bits and Pieces

At the **February meeting**, John and Doug will entertain us.

At the **March meeting**, possible speaker on the “ SMART METERS “

April meeting, speaker on Gold detecting etc.

Here are a couple of UHF repeater frequency changes:

Arthur’s Seat has changed to 439.850 MHz.

Mt. Macedon has changed to 439.827 MHz.

The next BARG Field Day Contest will be on APRIL 15, 2012

Get your gear ready.....

There will be a prize at the end...

ATTORNEY: Doctor, how many of your autopsies have you performed on dead people?

WITNESS: All of them. The live ones put up too much of a fight.

The MARCH newsletter needs more articles.

Deadline for articles next month is MARCH 25.

This what happens when a kangaroo attacks your car!!

Happened on Pitfield Road, between Capa Clear and Newtown.

Close to Happy Valley Rd.

And yes it was me.....

