



BARG News

Ballarat Amateur Radio Group
Inc. #6953T
March
Monthly Newsletter

Next Meeting
Friday 23rd February 2018 @ 7:30pm

At the B.A.R.G. Club House, Ballarat Airport

All Welcome



Contacting us

You can write to the club at the address below, or e-mail the secretary

The Secretary : B.A.R.G. Inc.
Box 1261
Mail Centre
Ballarat. Vic. 3354

Or E-Mail : vk3bml@barg.org.au

We're on the web
www.barg.org.au

Presidents Report

Bit of a short news letter this month, perhaps because it's really only a few weeks since the last one came out. That's what happens when the last news letter was late, and then we have a short month.

The next meeting is the coming Friday, 23rd, which is one day off the earliest it could be, so don't forget that it's on. The next meeting is a presentation by Ian, VK3AXH, on FT8.

The website has been updated to include a calendar to help everyone keep track of what's on. Let me know if there's any mistakes or anything missing.

Mal vk3oak

The screenshot shows the website for the Ballarat Amateur Radio Group. At the top, there are logos for the group and the WIA Affiliated Club. Below the logos is a navigation menu with links for Home Page, Newsletters, Repeaters, Contact Us, and What's On. A search bar is located on the right side of the page. The main content area features a calendar titled "Events for February 2018". The calendar is a grid with days of the week as columns and dates as rows. Events are listed in specific cells, such as "Conradin Night" on Feb 5, "SARIG 2m Net" on Feb 6, "Coffee Morning" on Feb 8, "SARIG HF Net" on Feb 8, "Dining Night" on Feb 16, "Committee Meeting" on Feb 19, "SARIG 2m Net" on Feb 20, "Coffee Morning" on Feb 22, "SARIG HF Net" on Feb 22, "General Meeting" on Feb 23, "SARIG 2m Net" on Feb 27, and "SARIG HF Net" on Feb 28. A "March" link is at the bottom right of the calendar. Below the calendar is a button labeled "EXPORT EVENTS". On the right side of the page, there is a "Pages" section with links to Contact Us, IRLP, Repeaters, Home Page, Newsletters, Membership, Office Bearers, Training Courses, Model Rules, What's On, Hamvention, and George Fowler Auction. There is also a "Login" section with a link to Admin Login. At the bottom of the page, there is a footer that reads "Ballarat Amateur Radio Group © 2018".

MONDAY	TUESDAY	WEDNESDAY	THURSDAY	FRIDAY	SATURDAY	SUNDAY
29	30	31	1	2	3	4
	Conradin Night	SARIG 2m Net	Coffee Morning SARIG HF Net			
5	6	7	8	9	10	11
	SARIG 2m Net		SARIG HF Net	Dining Night		
12	13	14	15	16	17	18
	SARIG 2m Net		SARIG HF Net			
19	20	21	22	23	24	25
Committee Meeting	SARIG 2m Net		Coffee Morning SARIG HF Net	General Meeting		
26	27	28	1	2	3	4
	SARIG 2m Net		SARIG HF Net			

March »

EXPORT EVENTS

Ballarat Amateur Radio Group © 2018

HF Net Controller Roster - 2018

DATE	OPERATOR	NAME	ALT	OPERATOR	NAME
This Roster Devised 29 December 2017			New Roster for New Year.		
22-Feb-18	VK3GGG	Mick		VK3DRE	Doug
1-Mar-18	VK3DRE	Doug		VK3AXH	Ian
8-Mar-18	VK3AXH	Ian		VK3YFD	Ian
15-Mar-18	VK3YFD	Ian		VK3KQT	David
22-Mar-18	VK3KQT	David		VK3KG	Craig
29-Mar-18	VK3KG	Craig		VK3GGG	Mick
5-Apr-18	VK3GGG	Mick		VK3DRE	Doug
12-Apr-18	VK3DRE	Doug		VK3AXH	Ian
19-Apr	VK3AXH	Ian		VK3YFD	Ian
26-Apr-18	VK3YFD	Ian		VK3KQT	David
3-May-18	VK3KQT	David		VK3KG	Craig
10-May-18	VK3KG	Craig		VK3GGG	Mick
17-May-18	VK3GGG	Mick		VK3DRE	Doug
24-May-18	VK3DRE	Doug		VK3AXH	Ian
31-May-18	VK3AXH	Ian		VK3YFD	Ian
7-Jun-18	VK3YFD	ian		VK3KQT	David
14-Jun-18	VK3KQT	David		VK3KG	Craig
21-Jun-18	VK3KG	Craig		VK3GGG	Mick

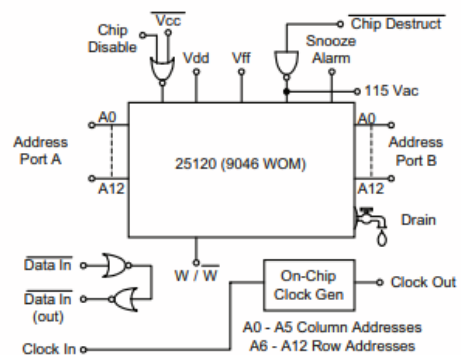
Here's an old product that still gets a lot more use than it should.

Signetics Write Only Memory

The Signetics 25000 Series 9C46XN Random Access WriteOnly-Memory employs both enhancement and depletion mode P-Channel, N-Channel and Neu(1) channel MOS devices. Although a static device, a single TTL level clock phase is required to drive the on-board multi-port clock generator. Data refresh is accomplished during CB and LH periods (11). Quadrastate outputs (when applicable) allow expansion in many directions, depending on organization.

The static memory cells are operated dynamically to yield extremely low power dissipation. All inputs and outputs are directly TL compatible when proper interfacing circuitry is employed.

Device construction is more or less S.O.S.(2)



APPLICATIONS

- DON'T CARE BUFFER STORES * LEAST SIGNIFICANT CONTROL MEMORIES
- POST MORTEM MEMORIES (WEAPON SYSTEMS)
- ARTIFICIAL MEMORY SYSTEMS
- NON-INTELLIGENT MICRO CONTROLLERS
- FIRST-IN NEVER-OUT (FINO) ASYNCHRONOUS BUFFERS.
- OVERFLOW REGISTER (BIT BUCKET)

Full Data Sheet : <http://repeater-builder.com/molotora/gontor/25120-bw.pdf>

Source : <http://www.sigwom.com/>

VHF and Above for March 2018

With the summer propagation season rapidly diminishing my observations are there has been a mixed range of results reported by enthusiasts during this period. The overall view is that 6 mx was probably one of the best seasons for some years with good results between VK, ZL, 3D2, the USA and South American areas being in the mix using a variety of modes namely SSB and digital modes JT65 and FT8.

Reports received indicate most States in VK experienced good openings with lots of activity using FT8.

On 2 metres there were many occasions when the 2m band was open to ZL from VK1, VK2, VK3, VK4, VK5 and VK7. I had a conversation with Gary VK5ZK from Goolwa in S.A. who has been on the air for 50 years and said it had been the best season he can remember. In addition to the above there were many qso's made on both 70cm and 23cm from stations located on the East coast of Australia to ZL.

For us in the Ballarat area I'm aware that Kevin VK3WN had contacts into ZL and VK4 on 2m and Bob VK3BNC also had contacts into VK4 on 2mx. Other stations that were active being John VK3AIG, Mick VK3GGG, Craig VK3KG and Ian VK3AXH who had only one qso into VK6 on SSB early in the season.

Although the Summer Field Day was a washout some success was achieved on a Wednesday afternoon when arrangements were made to have a 3.4GHz test day from

Mt Buninyong to 3 stations in Melbourne. VK3MQ at Mt Dandenong, VK3BDL at Black Rock and VK3HY in the Mt Waverley area. After setting up on the down hill road at Mt Buninyong with a clear view towards Melbourne VK3BNC, VK3AIG and VK3AXH all had success. Two stations were using the modified 3.4G WiFi panels and one using an offset dish. It was pleasing to get QSL cards confirming this activity.

Both Bob VK3BNC and John VK3AIG have been working away with construction of 1296 MHz yagi antenna's to be used during the John Moyle Field Day. Although we haven't yet decided where to set up it's hoped that BARG will get involved in this activity whether in the field or from the Club Rooms. So get yourselves organised and join in the spirit of this event and take part.

I can report that Craig VK3KG is making loud noises on 2mx SSB with the commissioning of his AM17 linear amplifier and getting good reports from stations worked.

2 Metre FM Repeaters

Recently I received an email from Nik VK3BA who is a regular reader of the BARG magazine and kindly provided information on the status of repeater linking on both the 2mx and 70cm bands. Because of the effort put in by a group of amateurs it's now possible for stations located over a wide range of locations to not only be heard on their local repeater but due to the linking it provides an opportunity to be heard over great distances which has generated a lot of interest for repeater users. If you haven't already had a go to see how far you can get then have a go as I'm sure you will be surprised.

A complete list of both 2mx and 70cm linked repeaters can be found by looking at Nik,s info page www.qrz.com/db/VK3BA. To all those responsible for carrying out this project we say well done.

Many thanks to Nik VK3BA for providing this input.

Till next time 73 de VK3AXH