

BARG News



Official Newsletter of the Ballarat Amateur Radio Group Inc. # 6953T

ABN 44 247 200 143

VOLUME 36 ISSUE 6 JUNE 2013



President: John Kennedy VK3AIG
Secretary: Doug Ellery VK3FDRE
Treasurer: Roger De Valle VK3ADE

NEXT MEETING - FRIDAY June 28, 2013
At 7.30 pm

Contacting us

You can write to the club at the address below, or e-mail the secretary.

The Secretary : B.A.R.G. Inc.
Box 1261
Mail Centre
Ballarat. Vic. 3354.

Or E-Mail: vk3bml@barg.org.au

We're on the web
www.barg.org.au

BARG INC. LIFE MEMBERS

Maurie Batt *	VK3FGC
Gordon Cornell	VK3LBA
Norm D'Angri	VK3KGL
Harry Hekkema	VK3WN
Kevin Hughes	VK3AXH
Ian McDonald	VK3AQM
Phil Seddon	VK3DCS
Charlie Stewart	VK3BNC
Bob Terrill	
Stan Widgery *	
Jim Wright *	

CLUB INFORMATION

REPEATERS and BEACON

VK3RWA*	(2 m Voice Repeater) (Uses CTCSS of 91.5 Hz to access)	147.100 MHz	Mt Ben Nevis
VK3RPC	(2 m Packet Repeater)	144.750 MHz	Mt Warrenheip
VK3RBU	(70 cm Voice Repeater)	438.475 MHz	Mt Hollowback
VK3RMB	(70 cm Beacon)	432.535 MHz	Mt Buninyong
VK3RBU-1	(2 m APRS Repeater)	145.175 MHz	Mt Hollowback
VK3RBT	(2 m Voice Repeater) (Uses CTCSS of 91.5 Hz to access)	146.650 MHz	Green Hill

* **IRLP** Node 6310 using VK3RWA

CLUB e-mail vk3bml@barg.org.au.

CLUB NETS VK3BML 3.608+/- QRM Thursday Nights at 8 pm E.S.T (Summer & Winter)
146.650 MHz - Every Tuesday Night at 8 pm. (VK3RBT Repeater)

WIA Broadcast Sunday 11.00 am via VK3RWA (IRLP Node 6310)

NEWS ITEMS Send to Harry VK3KGL

Or mail to Box 1261 Mail Centre BALLARAT 3354 or e-mail member.vk3kgl@barg.org.au

Broadcast Times and Dates on VK3RWA Repeater

Every Sunday at 11.00 am, WIA National News.
Every Monday night at 9.30 pm, ARRL News
Every Tuesday night at 9.30 pm, WIA National News Repeat

Info on Yaesu FT817/857/897 radios.



The FT817 has a fragile PA stage although the later ND model has a different and hopefully more robust design although with careful use (good VSWR) etc. not a problem. The FT817 are a popular choice for Sota although only 5 w but with a well matched antenna do a great job.

It is not needed to feed more than 10V to radio to get the full 5 W output with the Power Conditioner kit it keeps volts to around 10V and provides protection against reverse and high voltage.

Any voltage higher than 10v excess is dissipated as heat within the radio

<http://www.wulfden.org/TheShopper/ft817/> a similar setup could easily be home brewed.

The radio has a pos voltage applied to final stage even when radio is turned off and with internal batteries installed a problem can occur over time.

With time the batteries self-discharge and in non ND early radio's a self-oscillation can happen and destroy the PA final stage with radio turned off-there is a Phase reversal mod to stop this.

The mod simply is to reverse the co-ax connection that feeds final board, the FT817 Yahoo group has this and other tips on the radio. <http://groups.yahoo.com/group/FT817/>

With the FT817 as it doesn't have an on-board processor the TX audio can be sharpened by a long press on the Function key and going to menu 56 for LSD and 57 for Usb and change to 200 (max is 250).

Also the Rx audio can be changed via menu 54 for Lsb and 55 for Usb,step via dent and change via VFO,this changes the carrier point on the signal.

Another cure is to not leave batteries inside the radio and run off external battery.

All 3 radios have a HIDDEN MENU of unique alignment settings each radio is different and with a voltage surge/rf feedback/high vswr etc. the radios settings can be wiped and even with another radio's settings radio isn't setup correctly.

To access this hidden menu it is IMPORTANT while doing it and feed as close to 13.8Volts as possible to get correct settings.

Have ABC buttons pressed while powering on and a series of beeps will show the hidden menu this is a fiddly bit so have radio up against a bench so it doesn't move while pushing the buttons.

Now with plenty of time record each set and go thru in the 817's case 76 steps and 897 74 I don't have an 857 but would be a similar number as the 857 and 897 are identical except the case/body.

The stepping is done by the detent tuning knob and to change values use the VFO knob but changing make sure you know what you're doing.

The 817 doesn't have any way to lift the front up and I have the Peg-legs but people have made similar stands and also Yaesu have an optional protective case to avoid scratches.

<http://www.mtechnologies.com/palm/pegleg.htm>

Ernie VK3DET.

FOR SALE

Hello all I have 5 brand new in boxes Puxing PX-888 VHF 136 - 174 Mhz Transceiver sets for sale plus software disc and programming cable, They are currently listed on eBay (5 x PX-888 Pro. VHF 136-174mhz 2-way Radio + USB prog cable + software disc) Start Price of \$380.00 on eBay

if you could pass this info on to your members I'd be grateful the only reason for this sale is that I was after uhf units and ordered vhf by mistake so my sale price is the same of the price I got them for in postage....

Bob Paterson, travelinradioshow@optusnet.com.au

WSPR Info

Further to my introductory presentation about WSPR I have put together some additional info for those that showed interest.

The WSPR program can be downloaded from
<http://physics.princeton.edu/pulsar/K1JT/wspr.html>

The WSPR user guide can be downloaded from http://physics.princeton.edu/pulsar/K1JT/WSPR_2.0_User.pdf

The propagation map can be found by searching google using WSPR map

As mentioned it's important to have your PC clock accurate to within +/- one second. There are plenty of websites that offer this software.....the one I used can be found in the attachment.

Unzip the folder and install etc

Radio interfaces to PC can be found either using the info from www.wa1wa.net/filespdf/pskhandbook.pdf or alternatively a completed unit is available from Tigertronics <http://www.tigertronics.com/> or Fox Delta

<http://www.foxdelta.com/products/sc1.htm>

If you need any additional information or assistance please contact me via email igm@vic.chariot.net.au

Good Luck and keep us posted with your thoughts and successes.

Regards, Ian Mc - VK3AXH

From WORLD Traveller VK3KG

Hi, from Warring ton in UK. About to move up north. Have just been trying to clear emails at friends house. Am interested in seeing t he members who are interested in this program you presented. Have to catch up in Gipstek. Good Wx so far. In UK Visited Duxford RAF base yesterday.

And saw my old army radar set up next to the radio club, but not open on the day Auxiliary t a great site it is. The Imperial War museum has a number of sites out of London and this is one. I walked thru the CONCORDE" plane. It was the pro type no 1 that flew all the test gear before they fitted out the seats and made the commercial unit. The plane was not very large inside. Juxtaas well it flew at super speeds. Anyhow may get to heck and. Lear out more emails before we get up to the Article circle.

73 catch up soon.

Craig, VK3KG and Lynne.

BA'S AUDIO WORKSHOP PTY. LTD. ABN 59 007 427 778
trading as

BALLARAT

AUTO SOUND SPECIALIST

and
Radio Communications Systems Specialists
Supply and Service

8 EASTWOOD ST., BALLARAT 3350
Tel. 5333 4465 Fax. 5331 5851

HEWITT & WHITTY Pty. Ltd.
Outdoor Power Equipment

Cnr Carrngham Road
& Wiltshire Lane
Ballarat VIC 3350

Phone: (03) 5336 1344
Fax: (03) 5336 1027

Damien Hennessy

Sales / Spares

Mobile: 0417 313 811

Email: damo_611@hotmail.com



SupaSwift

Ariens ATIGA

ECHO

CHIPPER CHOPPER

ep
Engineered
Products Group

KOHLERengines

COFFEE at the CLUB (A Cuppa Tea is also available)



Join us for a Cuppa and a yarn on the
2nd and 4th Thursday of each month
(except January & December) at the Clubrooms.

We start at 10.30am and finish at about
11.30am, in time to get home for lunch.

**COME ALONG AND JOIN US IN A NIBBLE
AND A NATTER. (FRIENDS ARE WELCOME.)**



B.A.R.G Items for Loan.

Antenna Analyser MFJ269 HF-VHF-UHF

Antenna Analyser MFJ249 HF/VHF

UHF Antenna Analsyer

Antenna Analyser VHF. Autek.

Receiver Drake SSR-1.

Receiver FRG-7.

Transceiver TS-530.

Oscilloscope BWD 509.

Grid Dip Oscillator.

Safety Belt.

Antenna Gin Pole.

2m / 70cm diplexer



With this diplexer, you can connect a 2m (144-146 MHz) and 70cm (430-440 MHz) transmitter to a single dual band antenna, or a dual band transmitter to two separate antennas.

This diplexer is for a maximum power of 25 Watt (both 2m and 70cm, even at the same time). You can probably go as far as 40-50 Watt, but keep your transmissions a little shorter. If you want to use more power, use air trimmers. For power rates below 30 Watt, you can also use .8 mm silver plated copper wire for the inductors.

What you need is...

L1	Inductor, 1 turn, 6mm inner diameter, 1mm silver plated copper wire
L2	Inductor, same as L1
L3	Inductor, 3 turns, 6mm inner diameter, 1mm silver plated copper wire
L4	Inductor, 4 turns, 6mm inner diameter, 1mm silver plated copper wire
L5	Inductor, same as L3
C1 - C3	Variable capacitor (foil trimmer for < 50W, or air trimmer above), 3-22 pF
C4 - C5	Variable capacitor (foil trimmer for < 50W, or air trimmer above), 4-40 pF

If you want to use this diplexer for exactly what it is ment for, you also need a tin box (10 x 5 x 2 cm or something like that) and some VHF/UHF chassis connectors, like BNC or N. But if you want to build this inside some antenna switch panel you -maybe- don't need this (well, that's to say because you really need the tin box either way off course).

Now, look closely at the picture. The inductors, both at 2m and at 70cm side, have to placed at an angle of 90 degrees to each other. The inductors for the 2m-band can be made out of 1 piece. It's not mandatory, but it will prevent any loss in the soldering points. Mine (see picture) is made of one piece of silver plated copper wire from the 2m-connector to C1.

Connect a dummy load to the combined 2/70-connector and a transmitter along with a SWR-meter to the 2m-connector. Turn trimmer C4 and C5 until you reach a SWR of 1.1 or less.

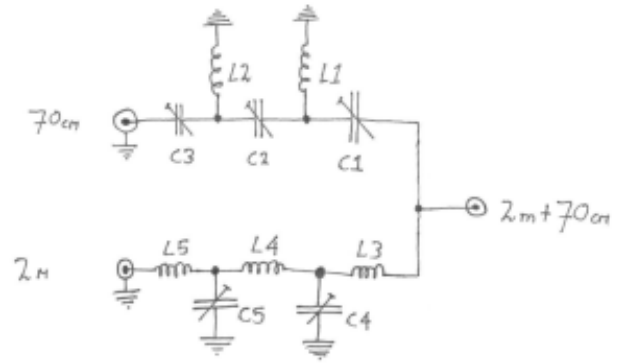
Do the same at the 70cm-connector with a 70cm transmitter and turn trimmers C1, C2 and C3. However, C1 and C3 have to be set in the same position!

Repeat this exercise a couple of times, because the circuits will interfere with each other.

If you can't get both bands to a SWR < 5, the settings just can't cope with each other. Mess up the settings of the trimmers completely, and start again with the band you couldn't get straight.

IMPORTANT: start with LOW power, let's say 5 Watts or better 1 Watt. If you cannot transmit at these low power rates, buy more capacitors at the first place because they will melt!

Have fun, 73's de Jeroen, PA3JT



The Australian QRP Home Page
doing more with less



Qrp Corner.

VK3YE Peter Parker's DSB 40

Since Peter's visit to BARG two of his designed rigs have been built by BARG members, Harry VK3KGL and Bob VK3BNC. Indeed we hope there will be more rigs being constructed following comments like "I'm going to build one of those"! If all this happens then we should be on the way to forming a DSB40 group here at BARG.

DX takes on a new meaning with only one watt and a good antenna system then there is the challenge! If you want further challenges then there is always "pedestrian mobile" using one of his loop antennas! Lots of fun!

Qrp doesn't have to be CW but a simple double sideband rig and more importantly "you built it"! Perhaps you heard "won't get over the back fence"!

Early tests have shown this to be far from the truth with early contacts including Cobran and Bendigo, VK3, Red Hill VK5 and Coleambally VK2.

It's easy to build so come along to construction night and be in it!

Bob, VK3BNC

BALLARAT AMATEUR RADIO GROUP INC. (BARG)

REG. NO. A0006953T - ABN 44 247 200 143

NOTICE OF ANNUAL GENERAL MEETING

Notice is hereby given that the Annual General Meeting of Ballarat Amateur Radio Group Inc. (BARG) for the year ended 30th June 2013 will be held at the Clubrooms, Huts 31A and 31B, Ballarat Airport, on Friday, 26th July 2013, commencing at 19:30.

BUSINESS

1. Confirmation of the Minutes of the Annual General Meeting held on 29th July 2012.
2. Any matters arising from the Minutes.
3. Presentation of Financial Statements for the year ended 30th June 2012 and Statement of Financial Position as at 30th June 2013, together with the Auditor's Report thereon.
4. President's Report for the year ended 30th June 2013.
5. Election of Office Bearers for the year ending 30th June 2013, including President, Vice President, Secretary and Treasurer.
6. Election of six Ordinary Club Members to the Committee of Management.
7. Appointment of the Auditor for the year ending 30th June 2013.
8. Confirmation of Non Elected Positions for the year ending 30th June 2013, including Amenities Coordinator, Awards Coordinator, Computer System/IRLP Coordinator, Construction Group Coordinator, Education Officer, Hamvention Coordinator, Librarian, Net Coordinator, Newsletter Editor, Property Officer, Public Officer, Radio Modernisation Coordinator, Technical Officer, Email Maintenance Officer and Web Site Officer.
9. Setting of Membership Fees for the year ending 30th June 2013.
10. Any other business.

BY ORDER OF THE COMMITTEE OF MANAGEMENT

Doug Ellery VK3FDRE

Honorary Secretary

25th June 2013

Nominations of candidates for election as Officers of the Club or as Ordinary Members of the Committee of Management shall be made in writing, signed by two members of the Club and accompanied by the written consent of the candidate and delivered to the Honorary Secretary not less than seven (7) days before the date fixed for the holding of the Annual General Meeting.

Nomination forms are available on the Club's Web Site, and will also be available at the Monthly General Meeting to be held at the Clubrooms on Friday, 28th June 2013 at 19:30.

BALLARAT AMATEUR RADIO GROUP INC. REG. NO. A 0006953T

CLUB REGISTER AND ANNUAL SUBSCRIPTION CHECK

NAME: _____ MOBILE PHONE: _____

CALL SIGN: _____ EMAIL ADDRESS: _____

STREET: _____ WIA MEMBER?: YES OR NO

SUBURB/TOWN: _____ PARTNER'S NAME: _____

POSTCODE: _____ SUBSCRIPTION PAID: \$ _____

WORK PHONE: _____ RECEIPT NO: _____

HOME PHONE: _____ RECEIPT DATE: _____

If the Club decides to publish a Club Directory,
are you willing to have the above information included? YES OR NO

SIGNATURE: _____ DATE SIGNED: _____

BALLARAT AMATEUR RADIO GROUP INC. REG. NO. A 0006953T

CLUB REGISTER AND ANNUAL SUBSCRIPTION CHECK

NAME: _____ MOBILE PHONE: _____

CALL SIGN: _____ EMAIL ADDRESS: _____

STREET: _____ WIA MEMBER?: YES OR NO

SUBURB/TOWN: _____ PARTNER'S NAME: _____

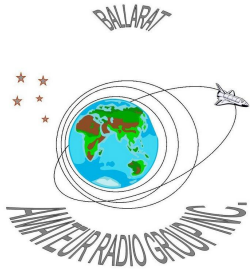
POSTCODE: _____ SUBSCRIPTION PAID: \$ _____

WORK PHONE: _____ RECEIPT NO: _____

HOME PHONE: _____ RECEIPT DATE: _____

If the Club decides to publish a Club Directory,
are you willing to have the above information included? YES OR NO

SIGNATURE: _____ DATE SIGNED: _____



B.A.R.G. Inc. NOMINATION FORM

Ballarat Amateur Radio Group—Inc # 6953T

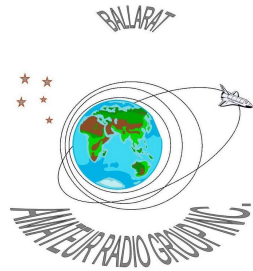
DATE: _____

I wish to Nominate _____ CALL: _____

For the position of _____ of BARG Inc.

Nominated by: _____ and _____

Nomination accepted by: (Nominee) _____



B.A.R.G. Inc. NOMINATION FORM

Ballarat Amateur Radio Group—Inc # 6953T

DATE: _____

I wish to Nominate _____ CALL: _____

For the position of _____ of BARG Inc.

Nominated by: _____ and _____

Nomination accepted by: (Nominee) _____